

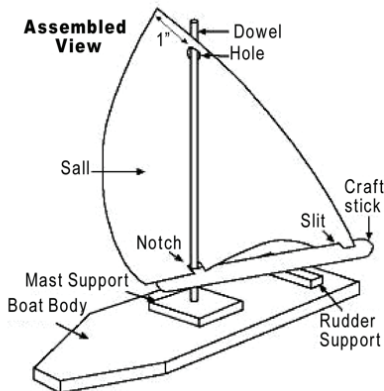
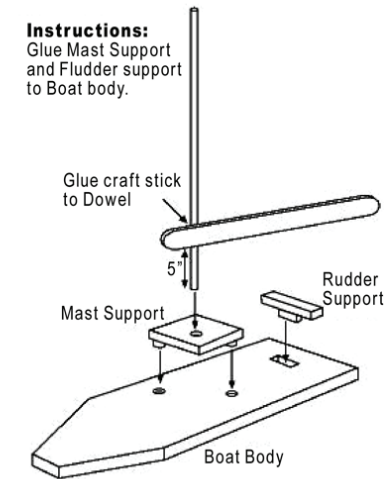
48/3633 Unfinished Wood Sail Boat Kits

It is helpful to stain or paint the unfinished wood before assembly. Allow stain or paint to dry completely.

1. Glue the mast support and rudder support to the shaped boat as shown in the drawing. Make sure that the holes and plugs in the wooden pieces match up.
2. Position the hole of the sail at the top and then glue the notched area's of the canvas sail to the wooden craft stick. Thread the wooden dowel through the hole in the top of the canvas sail.
3. Glue the wooden craft stick to the dowel behind the first notch in the sail. Allow time for your craft to dry.

© 2004 OTC

MADE IN CHINA



OTC SENSATIONAL CRAFTS

OrientalTrading.com

(800)-875-8480